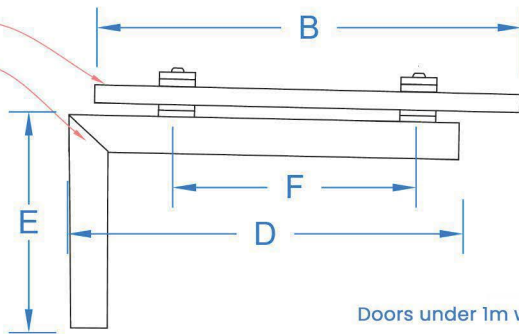


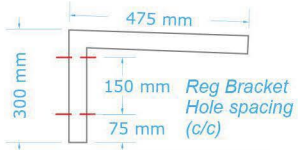
Components

- 10mm TOUGHENED GLASS
 - 50x25x2.5mm STAINLESS STEEL 316 ANGLE BRACKETS WITH 6 mm FALL
 - 40mm O/D WRAS EPDM WASHERS
 - M8x40mm BUTTON HEADS A2 ST ST
 - 40mm O/D X 3mm CLAMPING DISC
 - 40mm O/D X 4mm CLAMPING DISC
- 10mm clear flat glass with polished edges
6mm Projectional fall of glass
Stainless Steel 316 brackets

Side Elevation



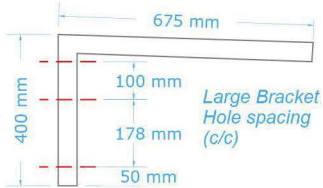
Reg. Brackets (size 1-3)



Bracket Options

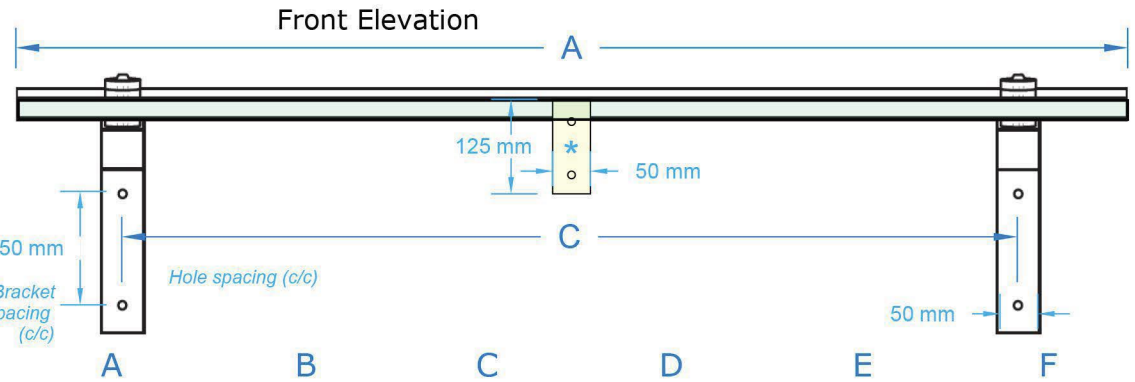
- Stainless Steel (as standard)
- Anthracite Grey (RAL 7016)
- Black (RAL 9005)

Large Brackets (size 4-9)



* Extra central support Small Angle Bracket for Glass Canopies larger than 2000 mm (A)

- Doors under 1m wide size 1a
- Doors over 1m wide size 1b
- size 2
- size 3
- Doors under 1m wide size 4a
- Doors over 1m wide size 4b
- size 5
- size 6
- size 7
- size 8
- size 9



	A	B	C	D	E	F
Doors under 1m wide size 1a	1300 mm	520 mm	1050 mm	475 mm	300 mm	295 mm
Doors over 1m wide size 1b	1300 mm	520 mm	1120 mm	475 mm	300 mm	295 mm
size 2	1500 mm	520 mm	1250 mm	475 mm	300 mm	295 mm
size 3	1800 mm	520 mm	1550 mm	475 mm	300 mm	295 mm
Doors under 1m wide size 4a	1300 mm	720 mm	1050 mm	675 mm	400 mm	495 mm
Doors over 1m wide size 4b	1300 mm	720 mm	1120 mm	675 mm	400 mm	495 mm
size 5	1500 mm	720 mm	1250 mm	675 mm	400 mm	495 mm
size 6	1800 mm	720 mm	1550 mm	675 mm	400 mm	495 mm
size 7	2000 mm	720 mm	1750 mm	675 mm	400 mm	495 mm
size 8	2300 mm	720 mm	1025 mm	675 mm	400 mm	495 mm
size 9	2500 mm	720 mm	1125 mm	675 mm	400 mm	495 mm

All Dimensions shown in mm