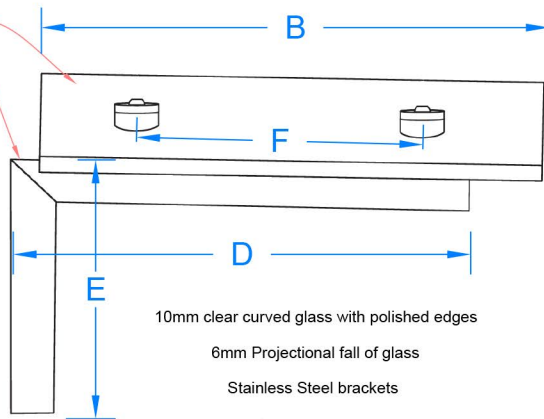




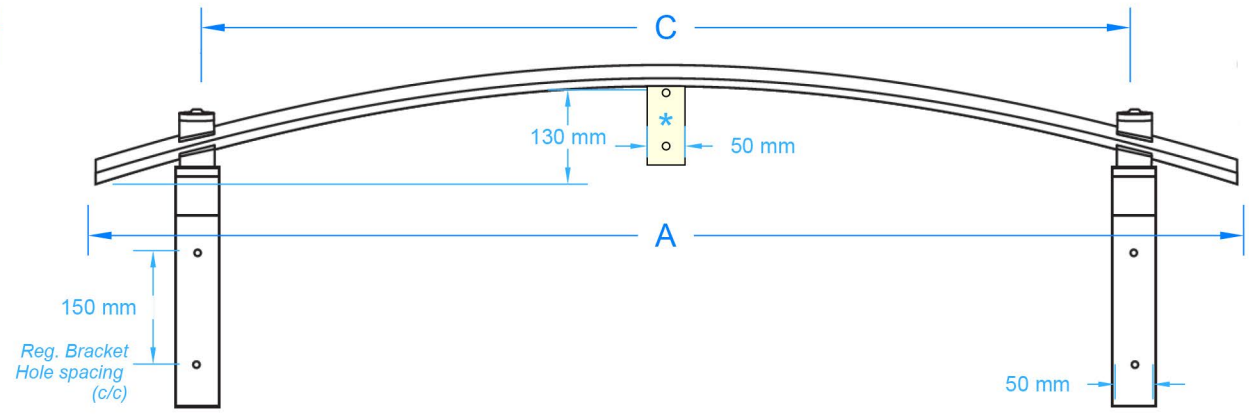
Components

- 10mm TOUGHENED GLASS
- 50x25x2.5mm STAINLESS STEEL 316 ANGLE BRACKETS WITH 6mm FALL
- 40mm O/D WRAS EDPM RUBBER WASHER
- M8x40mm BUTTON HEADS A2 ST ST
- 40mm O/D X 3mm CLAMPING DISC
- 40mm O/D X 4mm CLAMPING DISC
- TAPER WASHER

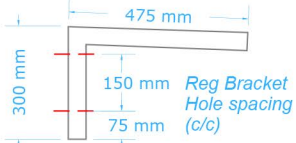
Side Elevation



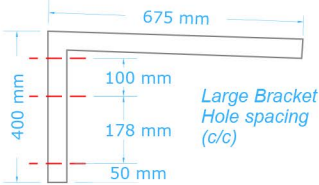
Front Elevation



Reg. Brackets (size 1)



Large Brackets (size 2-7)



Bracket Options

- Stainless Steel (as standard)
- Anthracite Grey (RAL 7016)
- Black (RAL 9005)

* Extra central support Small Angle Bracket for Glass Canopies larger than 2000 mm (A)

	A	B	C	D	E	F
size 1	1500 mm	520 mm	1250 mm	475 mm	300 mm	295 mm
size 2	1300 mm	720 mm	1050 mm	675 mm	400 mm	495 mm
size 3	1500 mm	720 mm	1250 mm	675 mm	400 mm	495 mm
size 4	1800 mm	720 mm	1550 mm	675 mm	400 mm	495 mm
size 5	2000 mm	720 mm	1750 mm	675 mm	400 mm	495 mm
size 6	2300 mm	720 mm	2050 mm	675 mm	400 mm	495 mm
size 7	2500 mm	720 mm	2250 mm	675 mm	400 mm	495 mm

All Dimensions shown in mm