

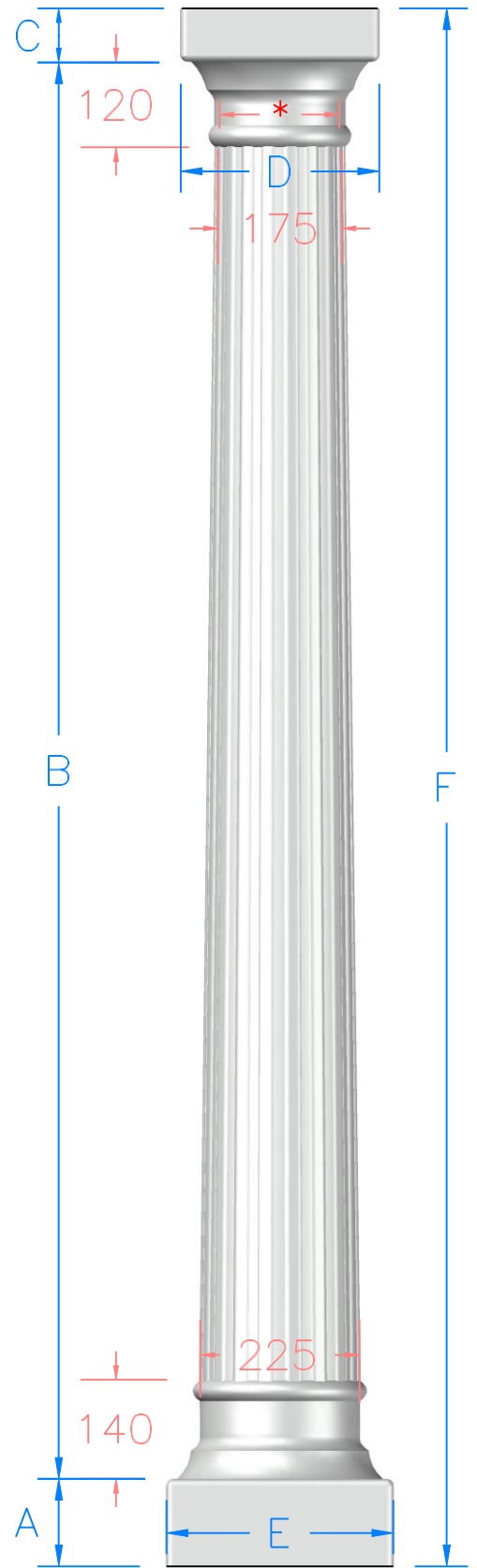
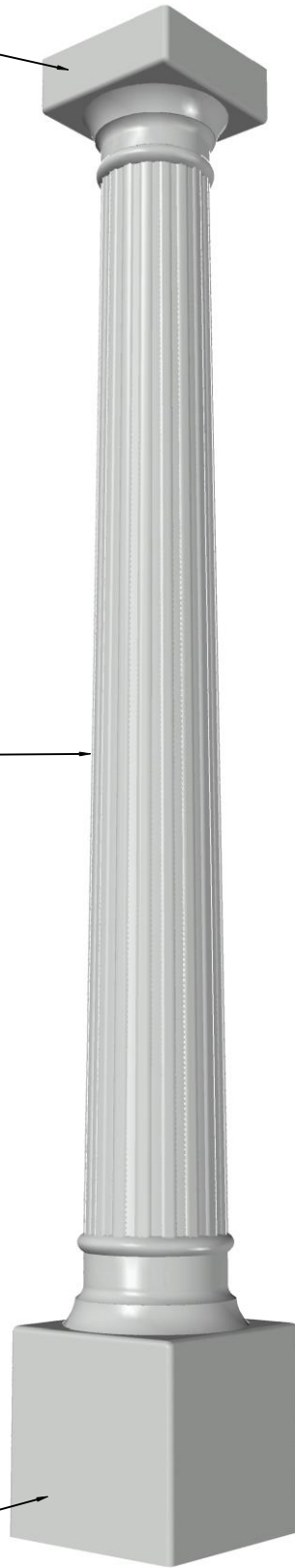


Column head



Column middle

Column foot



Column Dimensions	A	B	C	D	E	F
	Foot height	Middle height	Head height	Head width	Foot width	Overall height
minimum	100 mm	2000 mm	50 mm	280 mm	320 mm	2150 mm
maximum	310 mm	2000 mm	100 mm	280 mm	320 mm	2410 mm

Fluted Column - Specification

08/02/2022

Drawn by: JR

Approved: SH