

# The Roman

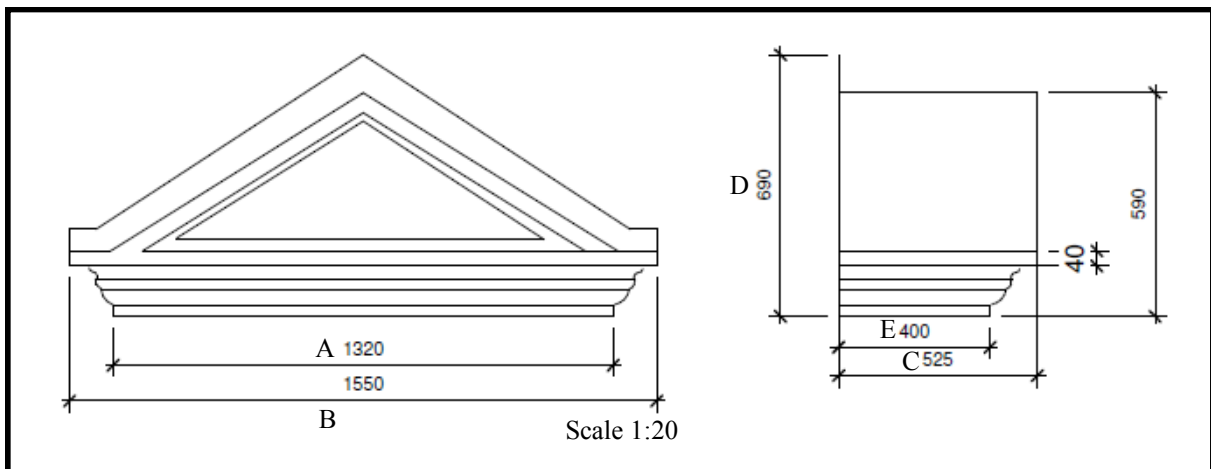


## Features

- \* Beautiful white and grey roof
- \* Dual-pitched
- \* Choice of tile colour
- \* Easy to maintain
- \* Looks attractive
- \* Optional leg brackets
- \* Easy to fit

An attractive dual-pitch, over door canopy with an authentic white and grey roof.

The roof is available in a range of grey or black to match aesthetically with the style of house. The soffit (base) section is white.



This canopy currently comes in one size (Please contact us for further details)

## Dimensions

A	B	C (Total projection)	D (inc 100mm flash)	E (soffit size)	Brackets Needed
1320	1550	525	690	400	N

**The Internet Shop Sales Office:  
Unit 13, Earlstrees Court, Earlstrees Industrial Estate  
Corby, Northants, NN17 4AX**